

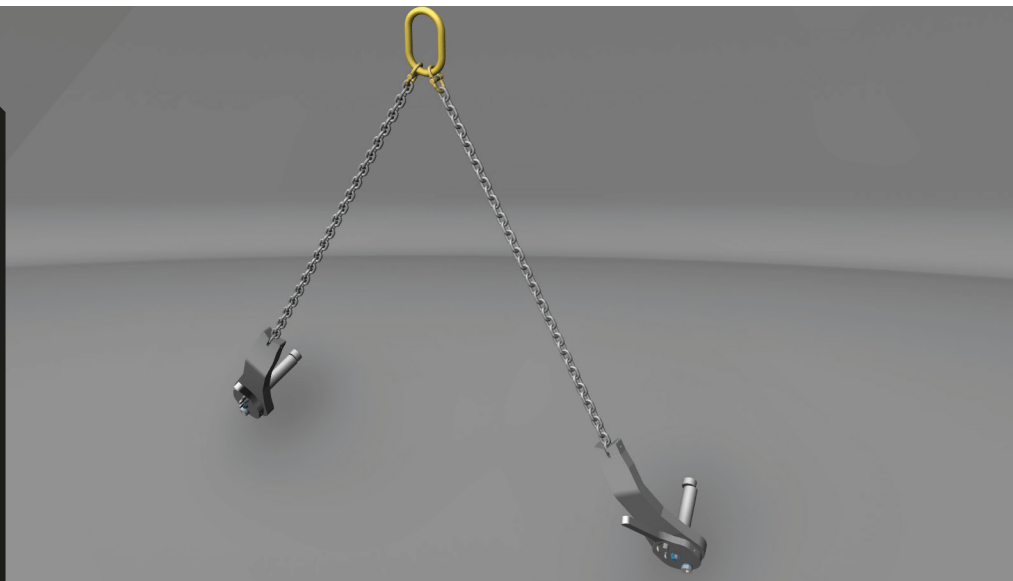
Metso:Outotec

Crusher spare parts

Jaw and cheek plate lifting tools

Application

Exclusively designed to lift Metso Outotec manufactured wear parts for Nordberg C jaw crushers.



Our crusher wear part lifting tools are designed with OEM expertise, making them the best choice to remove jaw and cheek plates from your Metso Outotec crushers.



Efficient crusher maintenance

Specially designed, fit-for-purpose tools makes wear part change-outs faster and more efficient. By using OEM parts, risk of damaging equipment is avoided. As a result, maintenance times are shortened and crusher downtime is reduced.

Improved safety and quality

To succeed in today's competitive environment, aggregate producers often seek to optimize their crusher maintenance. Using parts that last longer and make crusher maintenance easier and safer can make the big difference. Metso Outotec's specialty tools are developed with quality suppliers ensuring that high standards and tolerances are met.

TOOLS	APPLICATIONS	LOAD LIMIT
Cheek plate lifting tool (Single chain)	C80, C95, C96, C100, C105, C106, C116, C3054, C3055	500 KG
	C110, C120, C125, C130, C140, C145, C150, C160, C200	1000 KG
Jaw plate lifting tool (Double chain)	C80, C95, C96, C100, C105, C106, C125	1500 KG
	C110, C116, C120, C130, C140, C145, C150, C160, C3054, C3055	2800 KG
	C200	5500 KG

Benefits

- OEM design and assurance
- Improved safety and maintenance
- Reduced downtime with more efficient changeouts

Read more at:

 mogroup.com/CrusherParts

Metso:Outotec

Crusher spare parts

Mantle lifting tools

Application

Exclusively designed to lift Metso Outotec manufactured wear parts for Nordberg GP cone crushers.



Our crusher wear part lifting tools are designed with OEM expertise, making them the best choice to remove mantles from your Metso Outotec crushers.

Efficient crusher maintenance

Specially designed, fit-for-purpose tools makes wear part change-outs faster and more efficient. By using OEM parts, risk of damaging equipment is avoided. As a result, maintenance times are shortened and crusher downtime is reduced.

Improved safety and quality

To succeed in today's competitive environment, aggregate producers often seek to optimize their crusher maintenance. Using parts that last longer and make crusher maintenance easier and safer can make the big difference. Metso Outotec's specialty tools are developed with quality suppliers ensuring that high standards and tolerances are met.

TOOLS	APPLICATIONS	LOAD LIMIT
Mantle lifting tools	GP220	2500 KG
	GP330	3500 KG
	GP550 (excluding the EF mantle)	6500 KG
	GP7	14500 KG

Benefits

- OEM design and assurance
- Improved safety and maintenance
- Reduced downtime with more efficient changeouts

Read more at:

 mogroup.com/CrusherParts



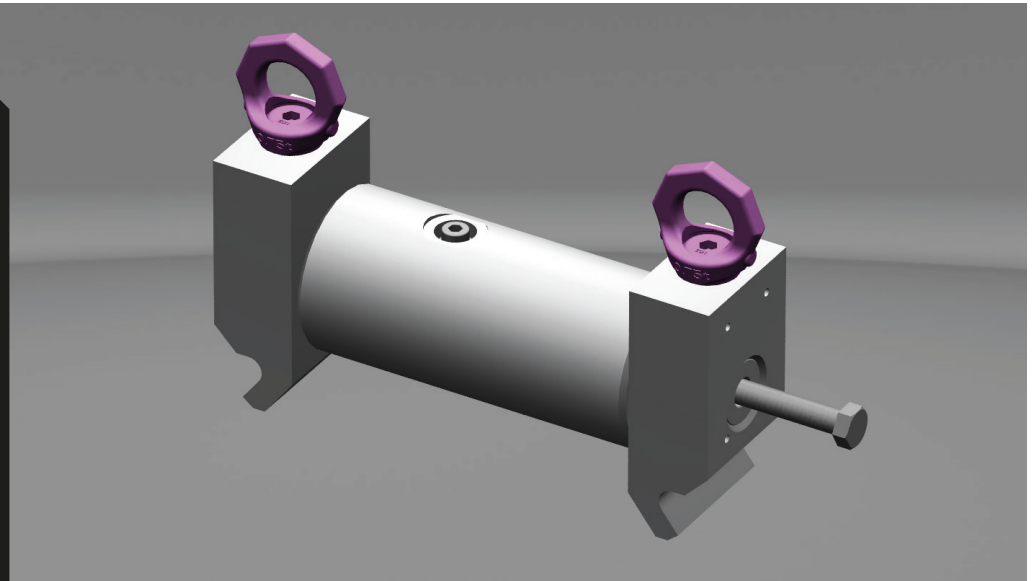
Metso:Outotec

Crusher spare parts

Mantle lifting tools

Application

Exclusively designed to lift Metso Outotec manufactured wear parts for Nordberg HP and MX cone crushers.



Our crusher wear part lifting tools are designed with OEM expertise, making them the best choice to remove mantles from your Metso Outotec crushers.

Efficient crusher maintenance

Specially designed, fit-for-purpose tools makes wear part change-outs faster and more efficient. By using OEM parts, risk of damaging equipment is avoided. As a result, maintenance times are shortened and crusher downtime is reduced.

Improved safety and quality

To succeed in today's competitive environment, aggregate producers often seek to optimize their crusher maintenance. Using parts that last longer and make crusher maintenance easier and safer can make the big difference. Metso Outotec's specialty tools are developed with quality suppliers ensuring that high standards and tolerances are met.

TOOLS	APPLICATIONS	LOAD LIMIT
Mantle lifting tools	HP200-HP300-HP3-HP4	500 KG
	HP400-HP500-HP5-HP6	1000 KG
	MX4	1360 KH



Benefits

- OEM design and assurance
- Improved safety and maintenance
- Reduced downtime with faster and more efficient changeouts

Read more at:

 mogroup.com/CrusherParts

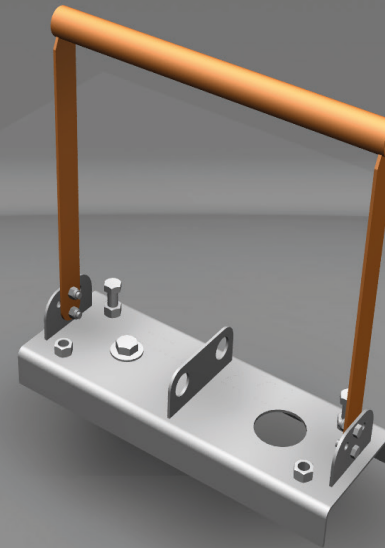
Metso:Outotec

Crusher spare parts

Breaker plate liner lifting tools

Application

Exclusively designed to lift Metso Outotec manufactured wear parts for Nordberg NP impact crushers.



Our crusher wear part lifting tools are designed with OEM expertise, making them the best choice to remove breaker plate liners from your Metso Outotec crushers.

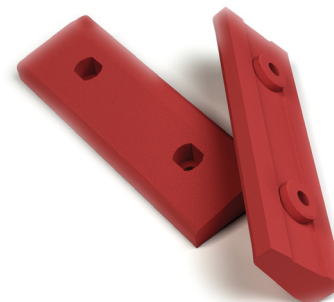
Efficient crusher maintenance

Specially designed, fit-for-purpose tools makes wear part change-outs faster and more efficient. By using OEM parts, risk of damaging equipment is avoided. As a result, maintenance times are shortened and crusher downtime is reduced.

Improved safety and quality

To succeed in today's competitive environment, aggregate producers often seek to optimize their crusher maintenance. Using parts that last longer and make crusher maintenance easier and safer can make the big difference. Metso Outotec's specialty tools are developed with quality suppliers ensuring that high standards and tolerances are met.

TOOLS	APPLICATIONS	LOAD LIMIT
Breaker plate liner lifting tools	NP1110, NP20, NP1520, NP1620	150 KG
	NP1213, NP1313	80 KG
	NP13	80 KG
	NP15, NP1315, NP1415	150 KG



Benefits

- OEM design and assurance
- Improved safety and maintenance
- Reduced downtime with faster and more efficient changeouts

Read more at:

 mogroup.com/CrusherParts

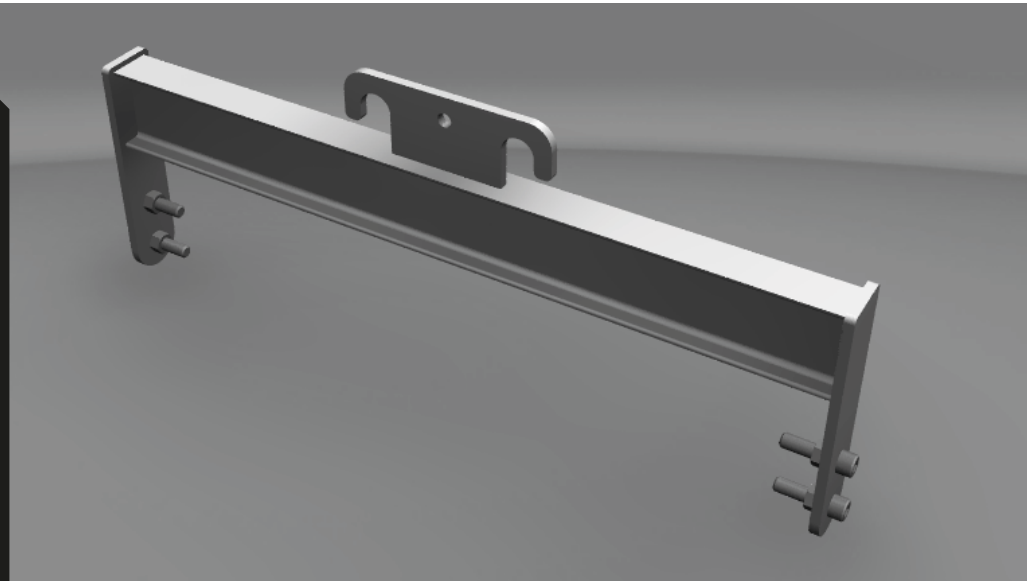
Metso:Outotec

Crusher spare parts

Hammer lifting tools

Application

Exclusively designed to lift Metso Outotec manufactured wear parts for Nordberg NP impact crushers.



Our crusher wear part lifting tools are designed with OEM expertise, making them the best choice to remove hammers from your Metso Outotec crushers.

Efficient crusher maintenance

Specially designed, fit-for-purpose tools makes wear part change-outs faster and more efficient. By using OEM parts, risk of damaging equipment is avoided. As a result, maintenance times are shortened and crusher downtime is reduced.

Improved safety and quality

To succeed in today's competitive environment, aggregate producers often seek to optimize their crusher maintenance. Using parts that last longer and make crusher maintenance easier and safer can make the big difference. Metso Outotec's specialty tools are developed with quality suppliers ensuring that high standards and tolerances are met.

TOOLS	APPLICATIONS	LOAD LIMIT
Hammer lifting tools	NP1110, NP1210	250 KG
	NP13, NP1213, NP1313	370 KG
	NP15, NP1315, NP1415	500 KG
	NP20, NP1520, NP1620	800 KG



Benefits

- OEM design and assurance
- Improved safety and maintenance
- Reduced downtime with faster and more efficient changeouts

Read more at:

 mogroup.com/CrusherParts